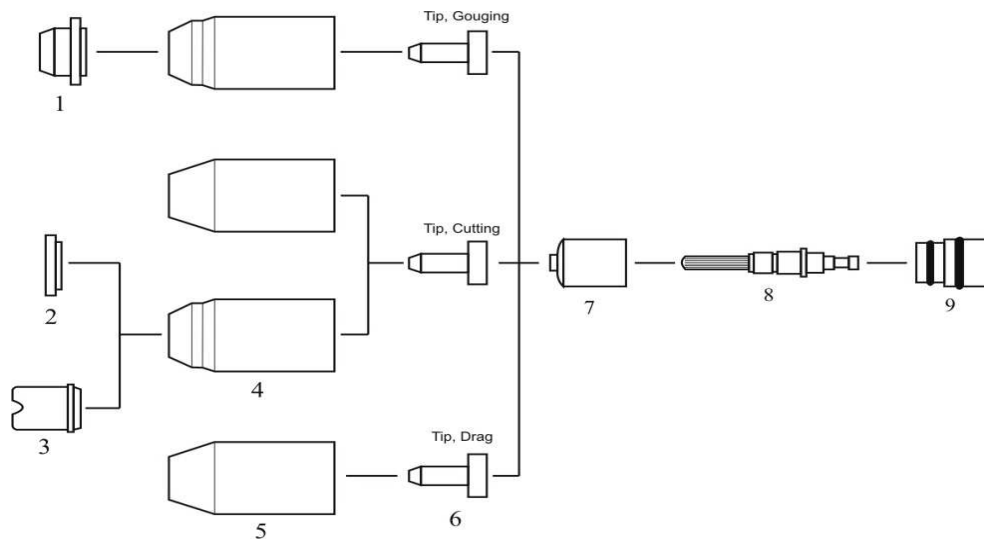




**THERMAL DYNAMICS®**

System: *CutMaster 39-52-82-102-152®*

Torch: *SL60-100®*





**THERMAL DYNAMICS®**

System: CutMaster 39-52-82-102-152®

Torch: SL60-100®

Item	Ref.Number	Order Number	Description
01.	9-8241	BP-50301	Shield - 40A-120A gouging
02.	9-8243	BP-50302	Shield - 40A-120A cutting
03.	9-8244	BP-50303	Shield - 40A cutting (Drag)
	9-8235	BP-50304	Shield - 50A-60A cutting (Drag)
	9-8236	BP-50401	Shield - 70A-100A cutting (Drag)
	9-8258	BP-50402	Shield - 120A cutting (Drag)
	9-8245	BP-50320	Shield cap - 40A cutting (Machine)
	9-8238	BP-50321	Shield cap - 50A-60A cutting (Machine)
	9-8239	BP-50410	Shield cap - 70A-100A cutting (Machine)
	9-8256	BP-50411	Shield cap - 120A cutting (Machine)
04.	9-8237	BP-50305	Retaining cap - 20A-120A (MaximumLife) "OEM"
05.	9-8218	BP-50306	Retaining cap - 20A-120A (Standard) "OEM"
06.	9-8205	BP-50307	Nozzle - 20A (Drag)
	9-8206	BP-50308	Nozzle - 30A (Drag)
	9-8207	BP-50309	Nozzle - 40A (Drag)
	9-8252	BP-50310	Nozzle - 60A (Drag)
	9-8208	BP-50311	Nozzle - 40A cutting (Standoff)
	9-8209	BP-50312	Nozzle - 50A-55A cutting (Standoff)
	9-8210	BP-50313	Nozzle - 60A cutting (Standoff)
	9-8231	BP-50403	Nozzle - 70A cutting (Standoff)
	9-8211	BP-50404	Nozzle - 80A cutting (Standoff)
	9-8212	BP-50405	Nozzle - 90A-100A cutting (Standoff)
	9-8253	BP-50406	Nozzle - 120A cutting (Standoff)
	9-8225	BP-50314	Nozzle - 40A gouging "A"
	9-8226	BP-50315	Nozzle - 60A gouging "B"
	9-8227	BP-50407	Nozzle - 80A gouging "C"
	9-8228	BP-50408	Nozzle - 100A gouging "D"
	9-8254	BP-50409	Nozzle - 120A gouging "E"
07.	9-8213	BP-50316	Swirl ring - 20A-120A "OEM"
08.	9-8215	BP-50317	Electrode - 20A-120A (MaximumLife)
09.	9-3486	BP-50318	O - ring
	9-3487	BP-50319	O - ring