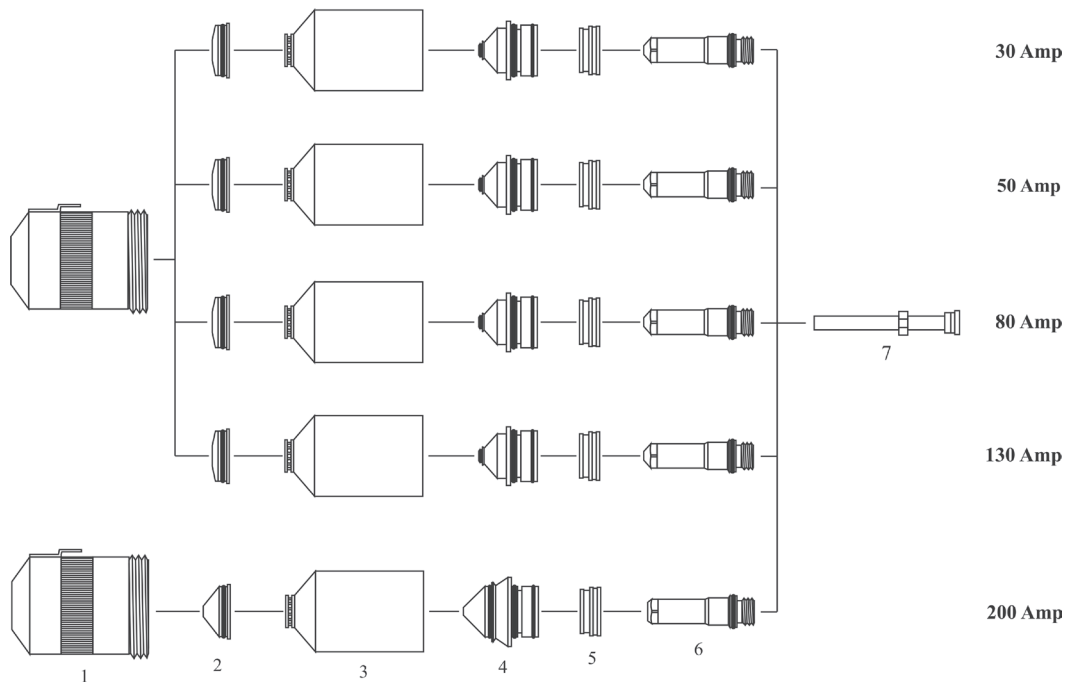




**HYPERTHERM®**

System: HPR HD4070® upgrade



Item	Ref.Number	Order Number	Description
01.	220173	BP-20901	Shield cap 30A-50A-80A-130A
	220398	BP-21001	Shield cap 200A-260A
02.	220194	BP-20902	Shield 30A
	220555	BP-20918	Shield 50A
	220189	BP-20903	Shield 80A
	220183	BP-20904	Shield 130A
	220356	BP-21002	Shield 200A
03.	220313	BP-20905	Retaining cap 30A-50A
	220176	BP-20906	Retaining cap 80A-130A
	220355	BP-21004	Retaining cap 200A
04.	220193	BP-20907	Nozzle 30A
	220554	BP-20919	Nozzle 50A
	220188	BP-20908	Nozzle 80A
	220182	BP-20909	Nozzle 130A
	220354	BP-21006	Nozzle 200A
05.	220180	BP-20910	Swirl ring 30A
	220553	BP-20920	Swirl ring 50A
	220179	BP-20911	Swirl ring 80A-130A
	220353	BP-21008	Swirl ring 200A
06.	220192	BP-20912	Electrode 30A
	220552	BP-20921	Electrode 50A
	220187	BP-20913	Electrode 80A
	220181	BP-20915	Electrode 130A
	220352	BP-21010	Electrode 200A
07.	220340	BP-20917	Water tube 30A-50A-80A-130A-200A

Hypertherm®, Thermal Dynamics®, Kjellberg®, Cebora®, Esab®, L-TEC®, Ajan® are the Registered Trademarks of Hypertherm®, Thermal Dynamics®, Kjellberg®, Cebora®, Esab®, L-TEC®, Ajan®. Royal welding s.r.o. is in no way affiliated with Hypertherm®, Thermal Dynamics®, Kjellberg®, Cebora®, Esab®, L-TEC®, Ajan®. The parts advertised for sale are not genuine Hypertherm®, Thermal Dynamics®, Kjellberg®, Cebora®, Esab®, L-TEC®, Ajan® parts, but are parts made for and by Royal welding s.r.o.. Reference to Hypertherm®, Thermal Dynamics®, Kjellberg®, Cebora®, Esab®, L-TEC®, Ajan® machine, torches and numbers are for your convenience only. We reserve the right to substitute genuine Hypertherm®, Thermal Dynamics®, Kjellberg®, Cebora®, Esab®, L-TEC®, Ajan® parts in place of Royal welding s.r.o. parts. Parts indicated with a "OEM" are original parts manufactured by the above named manufacturer and are being resold by Royal welding s.r.o.